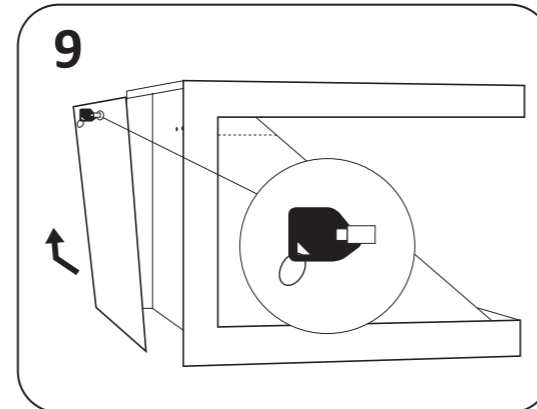


OPEN BOX 2

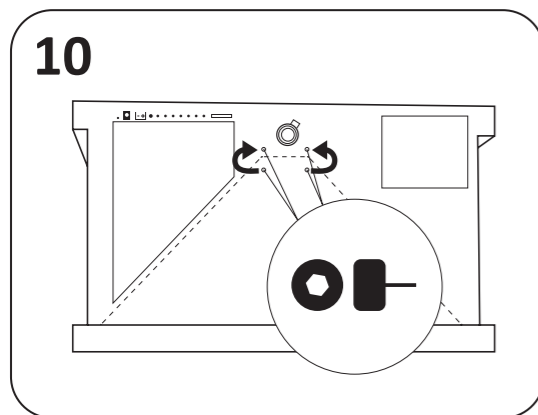


- WARNING: DO NOT MOVE DISPLAY BEFORE GLASS IS LOCKED

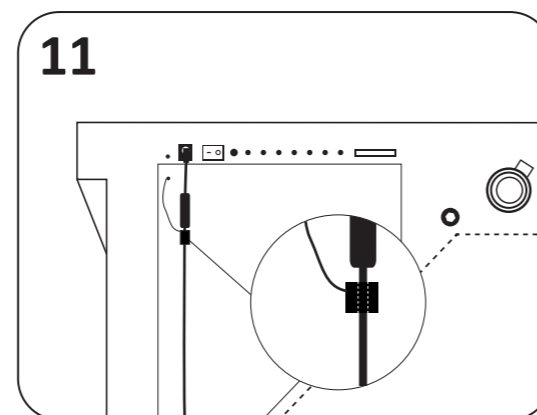
- TO ADJUST THE GLASSES, PLEASE SEE THE DETAILED GUIDE AT: support.realfiction.com/hd3



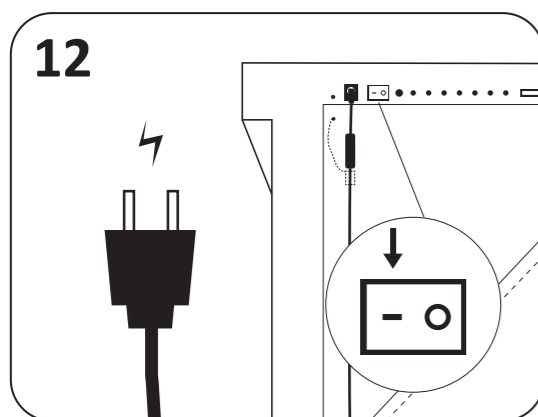
9
OPEN AND REMOVE THE BACKDOOR



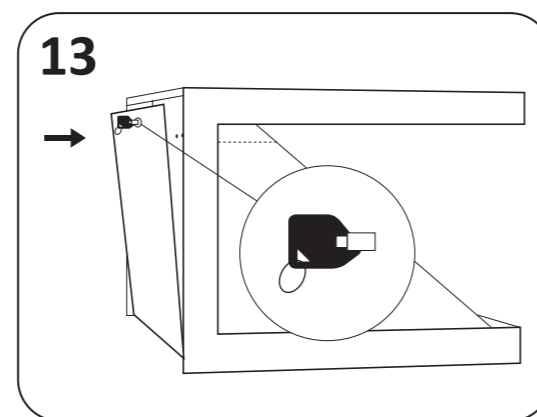
10
MOVE THE TWO TRANSPORT SCREWS TO FASTEN THE GLASS LOCK COVER



11
INSERT THE DC PLUG AND FIX THE RELIEF STRAP



12
CONNECT THE AC PLUG AND SWITCH ON THE DISPLAY



13
MOUNT AND LOCK THE BACKDOOR



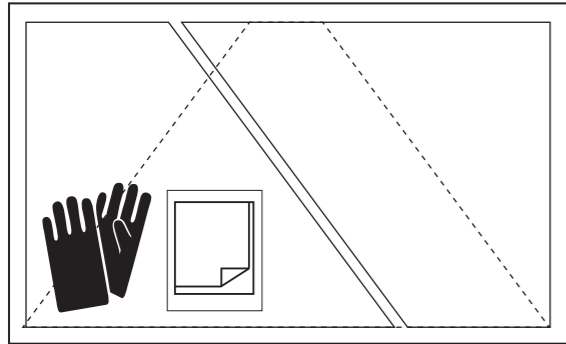
QUICK GUIDE: HOW TO GET STARTED



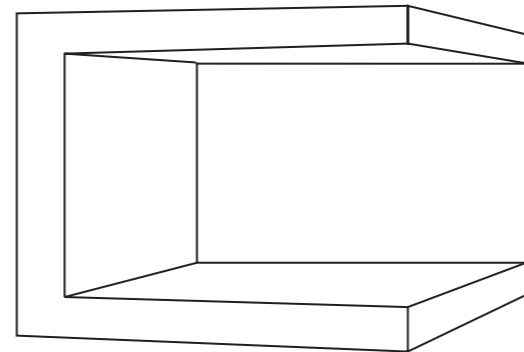
FOR PRODUCT SUPPORT AND TUTORIALS,
PLEASE SCAN THIS QR-CODE OR VISIT:

support.realfiction.com/hd3

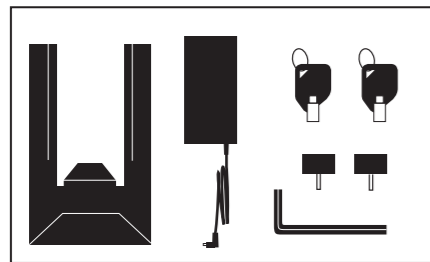
PACKAGE CONTENTS



BOX 1
3 GLASS FACES, 1 PAIR OF GLASS GLOVES,
1 CLEANING CLOTH. HANDLE WITH CARE!



DREAMOC DISPLAY

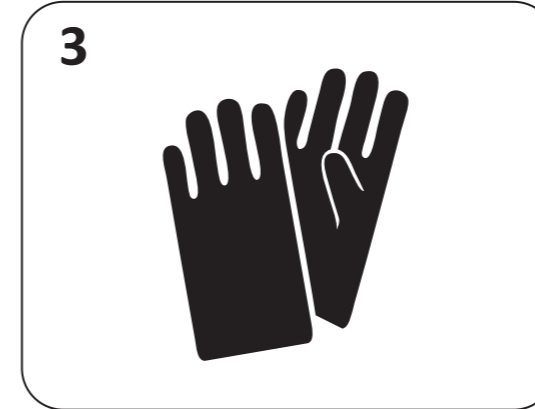


BOX 2
1 GLASS LOCK COVER, 2 UNBRAKO SCREWS,
1 UNBRAKO KEY, 1 POWER SUPPLY, 2 KEYS

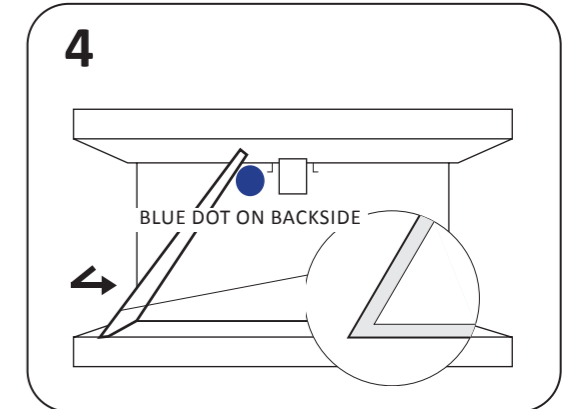


BAG
POWER CORD

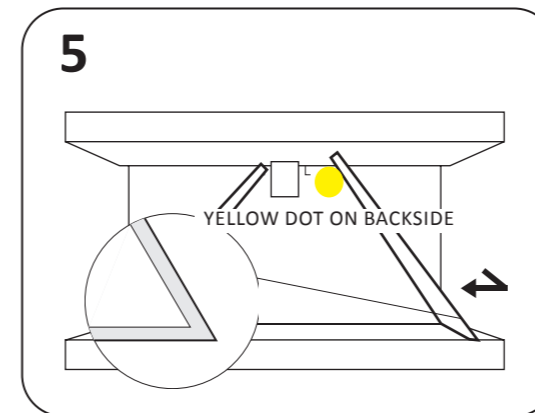
OPEN BOX 1



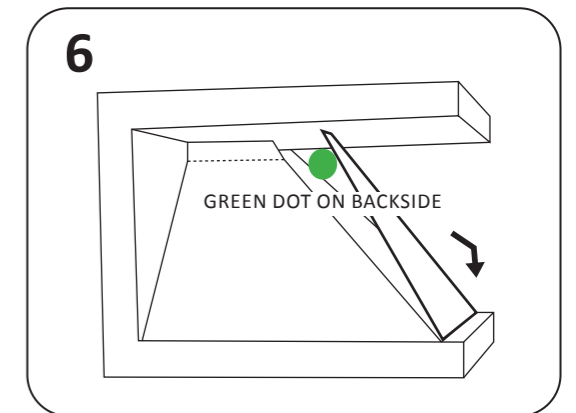
3
USE GLOVES TO KEEP GLASS CLEAN



4
MOUNT THE SIDE GLASSES FIRST

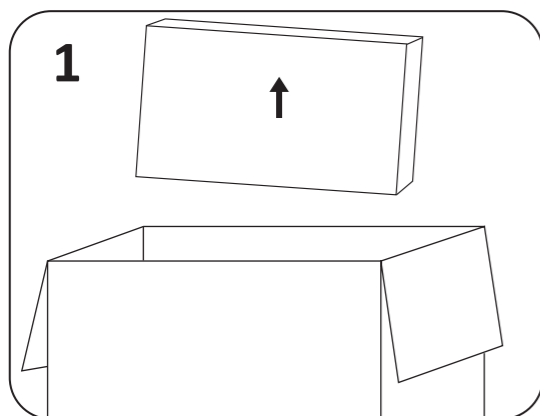


5
MAKE SURE THE BEVELED EDGES FACES
CENTER

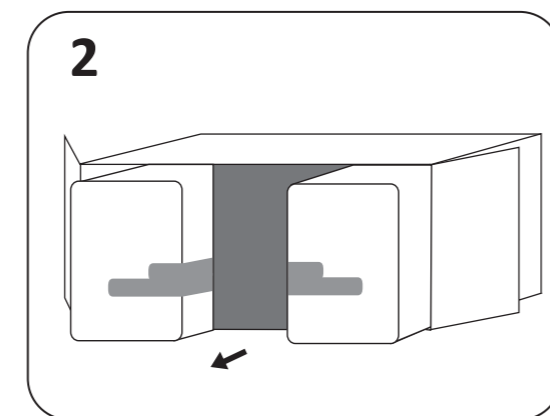


6
ENSURE THAT ALL GLASSES FIT DEEP
INTO THE GAP

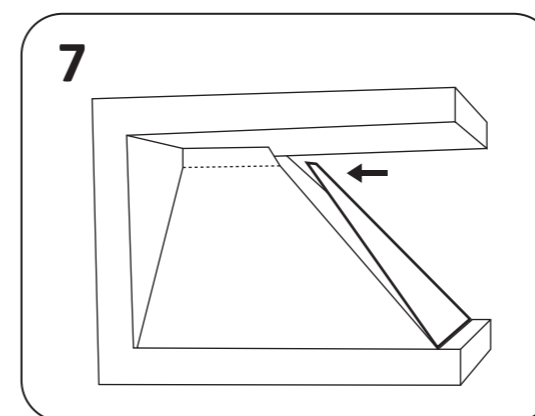
FOLLOW THESE STEPS TO GET STARTED



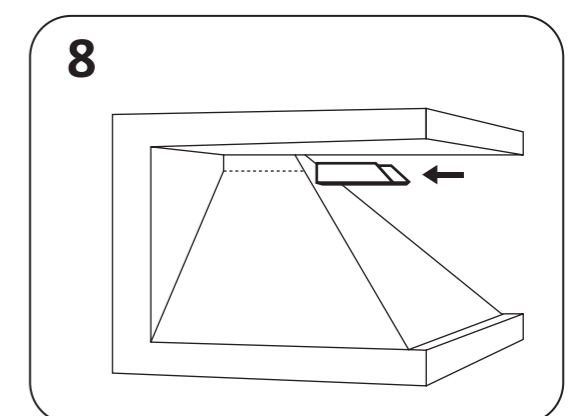
1
REMOVE BOX 1 AND BOX 2



2
GENTLY LAY THE CRATE ON ITS SIDE
AND PULL OUT THE DREAMOC



7
ALIGN ALL FACES EVENLY



8
MOUNT THE GLASS LOCK COVER



FOR PRODUCT SUPPORT AND TUTORIALS,
PLEASE SCAN THIS QR-CODE OR VISIT:

support.realfiction.com/hd3

